



Global Architectural Openings Solutions

**Stainless Steel
Lever Handles EN3**

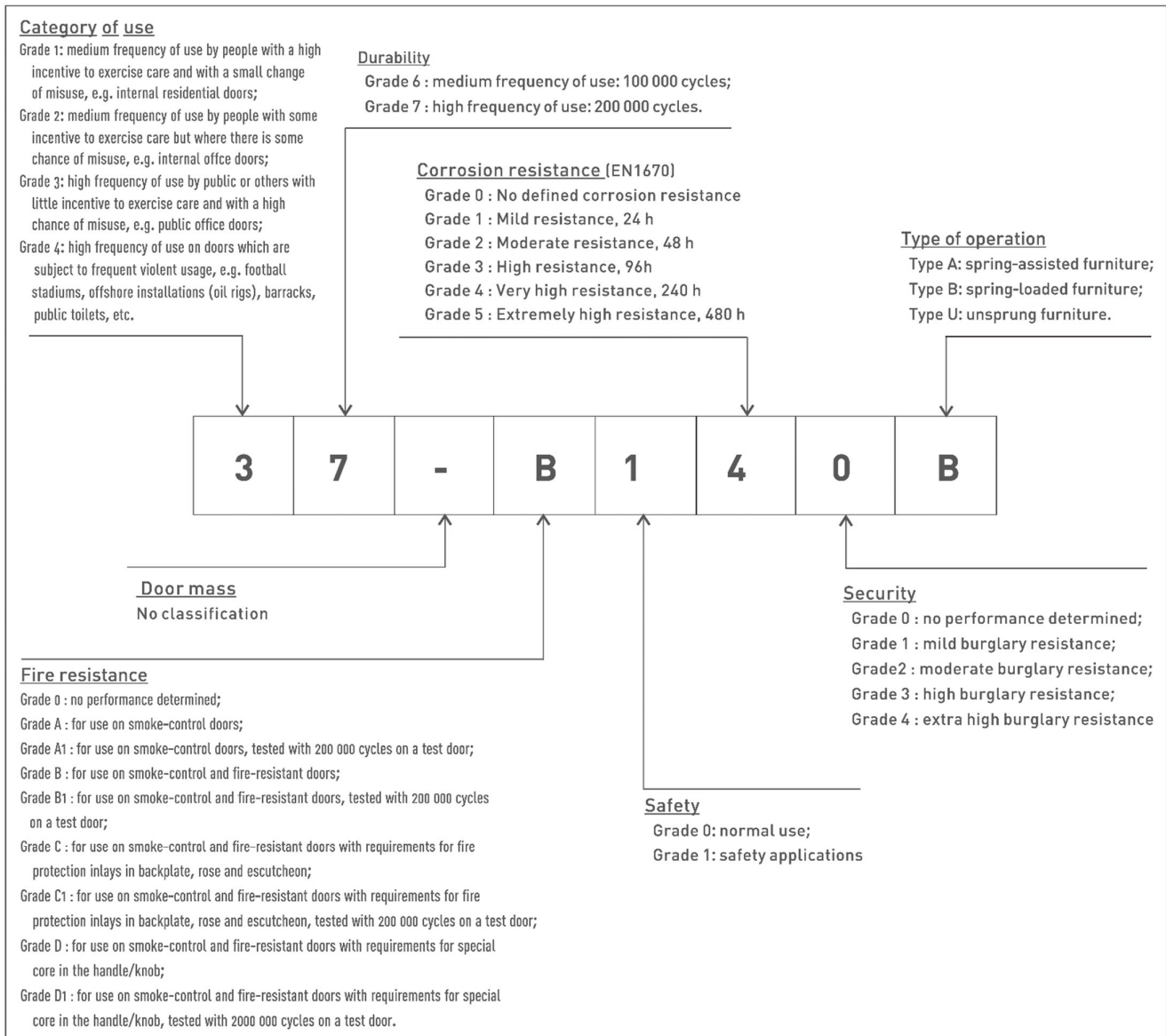
COM Series



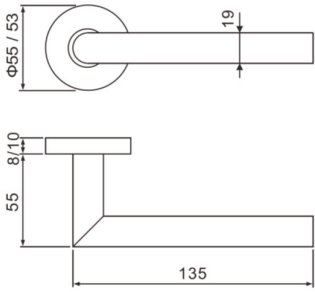
**Contact us:
+44 - 741 5132931
info@gaos-dhw.co.uk
Unit1, Baxter Road
Sheffield S61JF
United Kingdom**

COM Series Lever Handles (EN3):

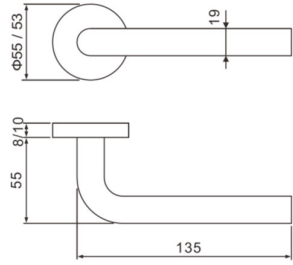
Category of use grades 3 according to EN 1906. Comes with a 5-year warranty. Includes an adapter ring between the lever handle and rose or backplate. Lever door handles are available in satin-finished (matte) stainless steel (Standard), other finishes available on request. The available models meet standard market requirements. The surface quality adheres to the standards of this market segment. Lever door fittings are provided as complete sets with pre-fitted springing.



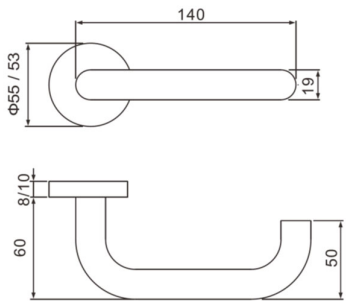
COM 101:



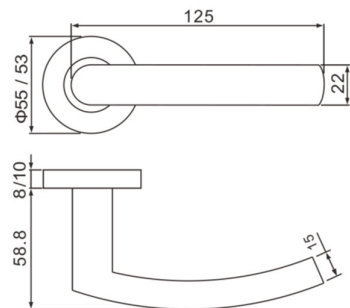
COM 102:



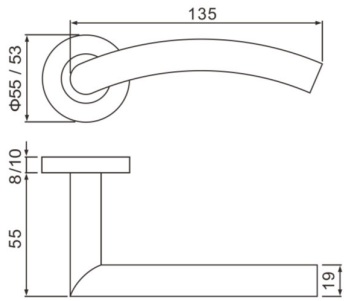
COM 103:



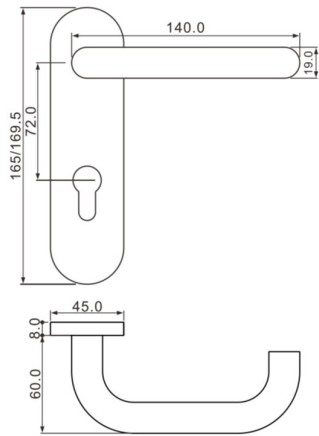
COM 104:



COM 105:



COM 106:



COM 107:

